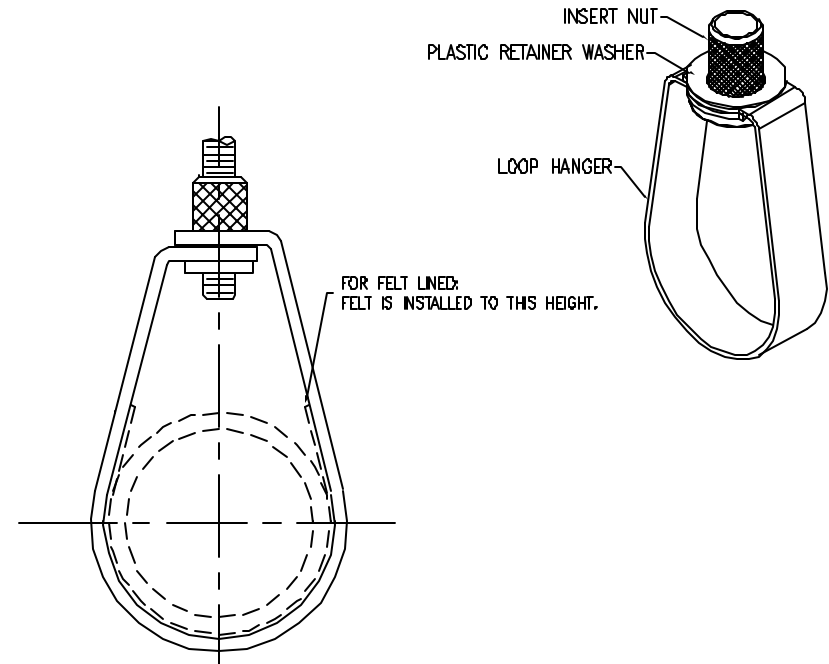
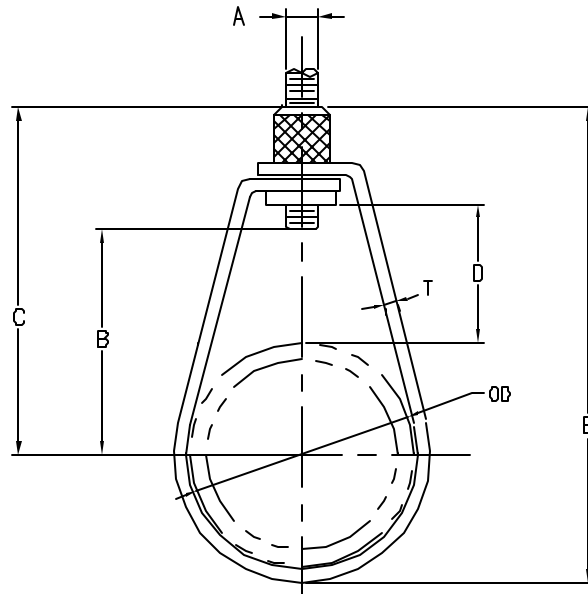


# SWIVEL LOOP HANGER 115

PART NUMBER US	PART NUMBER EUROPE	NOMINAL PIPE SIZE		OD EU PIPE	OD (HANGER)		A		B		C		D		E		T		MAX. REC. LOAD LBS/ N
		INCH	DN		INCH	MM	INCH	MM	INCH	MM	INCH	MM	INCH	MM	INCH	MM	INCH/ MM		
115D25DEG	597920	2-1/2	85	76.1	3	76.2	3/8	M10	2-13/16	71.4	3-7/8	98.4	1-1/2	38.1	5-1/2	139.7	0.083-0.090 / 2.1-2.3		525 / 2335.3
115D30DEG	597930	3	80	88.9	3-5/8	92.1	3/8	M10	3-1/2	88.9	4-9/16	115.9	1-7/8	47.6	6-1/2	165.1			585 / 2602.2
115D35DEG	--	3-1/2	--	101.6	4-1/8	104.8	3/8	M10	3-3/4	95.3	4-13/16	122.2	1-7/8	47.6	7	177.8			650 / 2891.3
115D40DEG	597940	4	100	114.3	4-11/16	119.0	3/8	M10	4	101.6	5-1/16	128.6	1-7/8	47.6	7-1/2	190.5	0.097-0.110 / 2.5-2.8		1000 / 4448.2
115D50DEG	597950	5	125	139.7	5-3/4	146.0	1/2	M12	4-13/16	122.2	6-1/8	155.6	2-3/16	71.4	9-1/8	231.8			1000 / 4448.2
115D60DEG	597960	6	150	168.3	6-13/16	173.0	1/2	M12	6-7/16	163.5	7-3/4	196.9	3-1/4	82.5	11-1/4	285.8			1000 / 4448.2
115D80DEG	597970	8	200	219.1	8-13/16	223.8	1/2	M12	7	177.8	8-5/16	211.1	2-13/16	71.4	12-13/16	325.4	0.114-0.127 / 2.9-3.2		



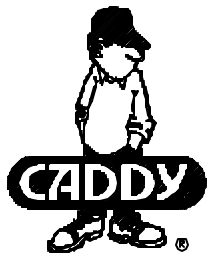
UL is a registered trademark of Underwriter's Laboratories, Inc.



Adjustable Band Hanger with NFPA Rod Sizes  
Size Range: 2-1/2" through 8"  
Surface Finish: Electro-zinc plated.

Recommended for the suspension of stationary non-insulated pipe lines  
Manufactured to use the minimum rod size permitted by NFPA for fire sprinkler piping  
Conforms with Federal Specification WW-H-171 (Type 10).  
Manufacturers Standardization Society (MSS) SP-58 and SP-69 (Type 10)

Felt lined loop hangers are also available.



TECHNICAL SUPPORT:  
[www.erico.com](http://www.erico.com)

#### WARNING

ERICO products shall be installed and used only as indicated in ERICO's product instruction sheets and training materials. Instruction sheets are available at [www.erico.com](http://www.erico.com) and from your ERICO customer service representative. Improper installation, misuse, misapplication or other failure to completely follow ERICO's instructions and warnings may cause product malfunction, property damage, serious bodily injury and death.

This document and the contents thereof is the property of ERICO and is furnished to you for information only. The information contained herein is confidential and of a proprietary nature and may not be disclosed to third parties without the express written approval of ERICO. All dimensions and tolerances are in inches, unless otherwise specified. This document is not to be used as an instruction sheet. Instruction sheets are available at [www.erico.com](http://www.erico.com).

CADDY, GADWELD, CRITEG, ERICO, ERIFLEX, ERITECH and LENTON are registered trademarks of ERICO International Corporation.

CRSM115\_C

